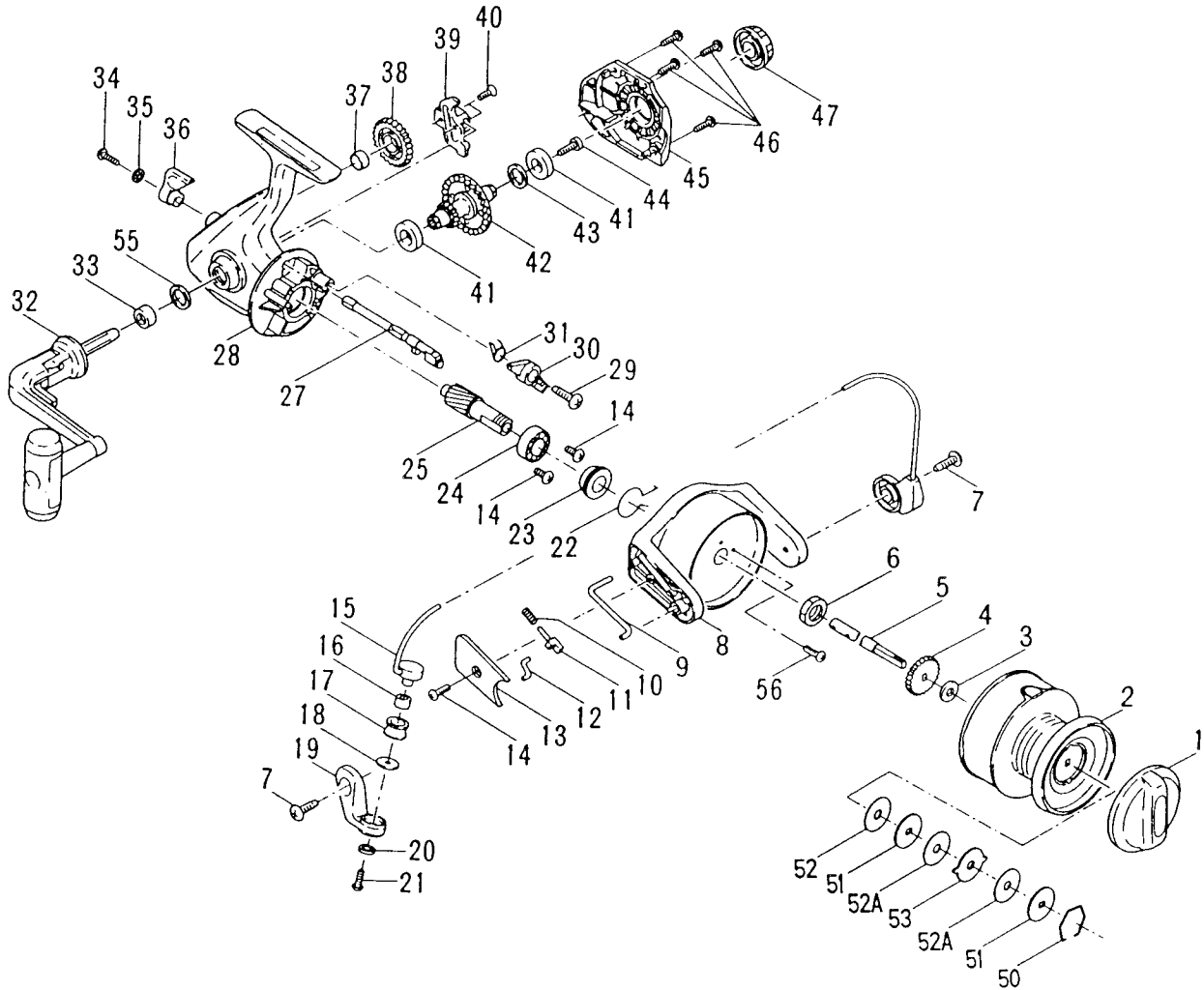




PARTS AND PRICE LIST FOR MODEL 7000



Key No.	Part No.	Description	Price	Key No.	Part No.	Description	Price
1	052 6000	Drag Knob Asm. w/Spring	\$6.00	30	004 6000	Anti-Reverse Dog	\$4.00
2	047 7000	Spool Assembly	22.00	31	004A6000	Dog Spring	.75
3	060 6000	Thrust Washer	.40	32	015 6000	Handle Assembly	15.00
4	040B7000	Click Ratchet	.80	33	015A3000	Handle Spacer	.50
5	039 7000	Spool Shaft	4.00	34	006F3000	Eccentric Lever Mtg. Screw	.40
6	038 6000	Rotor Nut	.50	35	006G3000	Thrust Washer	.40
7	031A3000	Arm Screws (2 req.)	.45	36	006E3000	Eccentric Lever	.50
8	027 7000	Rotor Cup	14.00	37	231A3000	Crosswind Gear Bushing	.45
9	028A7000	Cam Lever	.75	38	231 6000	Crosswind Gear	1.50
10	034C6000	Pivot Spring	.50	39	043 6000	Crosswind Gear Block	1.00
11	034B6000	Pivot Shaft	.75	40	044 1500	Screws (2 req.)	.40
12	034A3000	Pivot Arm	.50	41	002A6000	Cover & Housing Bushings (2 req.)	1.05
13	027A7000	Bail Pivot Cover	1.50	42	008 6000	Main Gear	4.00
14	022 875	Screws (3 req.)	.50	43	008A6000	Main Gear Shim	.40
15	024 6000	Bail Wire Assembly	6.50	44	009A3000	Standard Drive Screw	.90
16	035A3000	Line Roller Bushing	.90	45	045 6000	Housing Cover	4.00
17	035 6000	Line Roller	1.70	46	046 1000	Cover Screws (4 req.)	.40
18	132 6000	Roller Washer	.80	47	233 3000	Bearing Cover	2.25
19	034 3000	Bail Arm	2.25	**	048 4000	Spool Click Tongue	.50
20	022A875	Washer	.50	**	022 1000	Click Tongue Screw	.50
21	036 1000	Bail Stud Screw	.40	50	051 6000	Drag Retaining Ring	.50
22	230 6000	Silent Dog Spring	.55	51	057 6000	Keyed Drag Washers (2 req.)	.60
23	019A6000	Pinion Spacer	.80	52	006 6000	Teflon Drag Washer (1)	1.50
24	020 6000	Ball Bearing	7.00	52A	006 7000	Drag Washers HT-100 (2 req.)	.85
25	019 6000	Pinion Gear	5.00	53	058 6000	Ear Drag Washer (1)	.60
27	006A6000	Eccentric Shaft	2.50	**	040C4000	Click Washer	.40
28	001 7000	Housing	12.75	55	017 6000	Handle Washer	.50
29	003 6000	Dog Mounting Screw	.50	56	305 875	Rotor Nut Locking Screw	.40